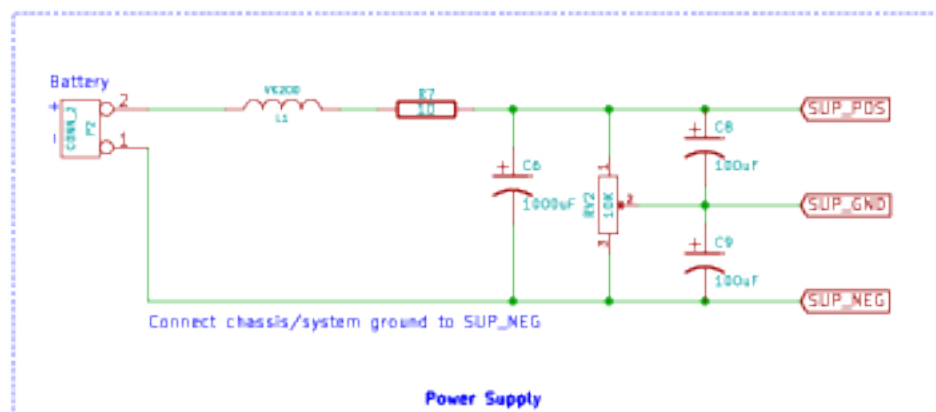
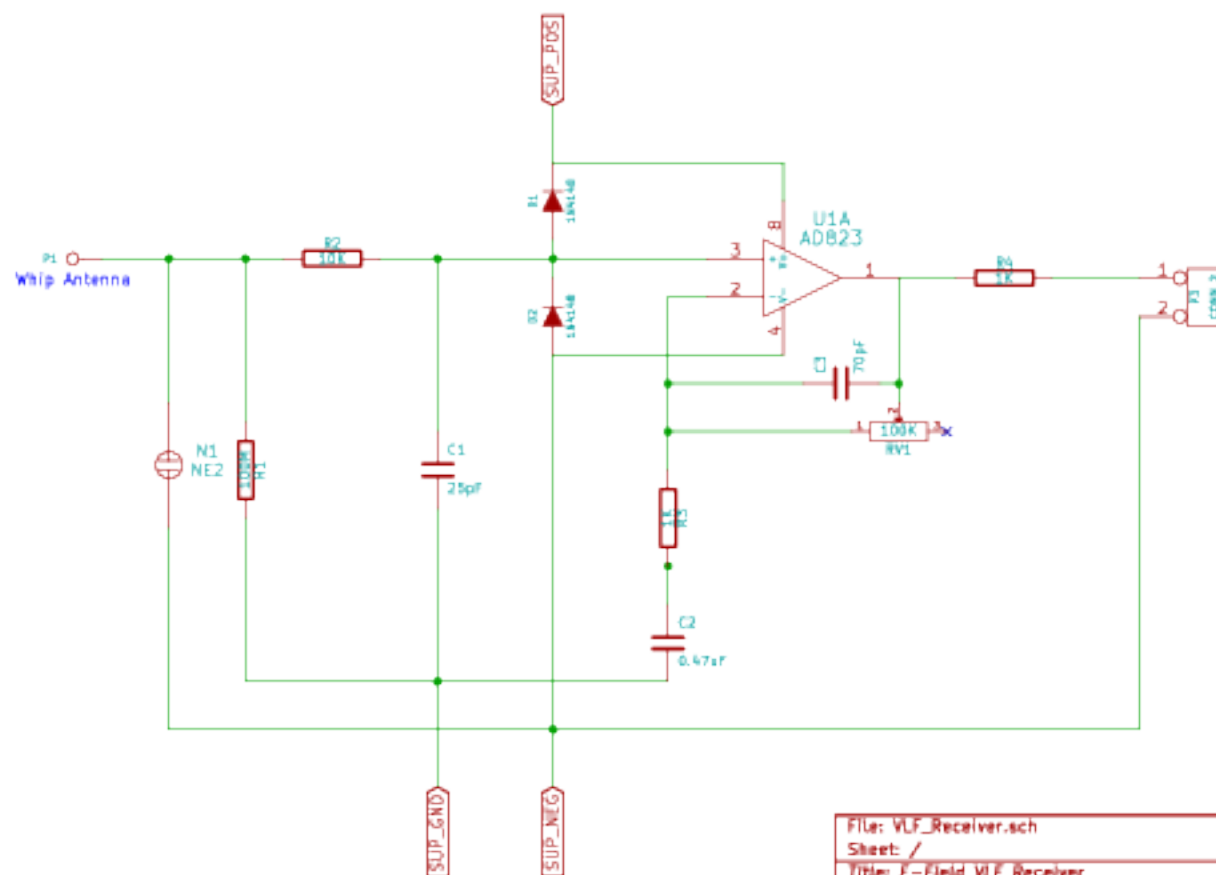


Reduces current consumption and prevents oscillation of unused AD823 section.



Power Supply



File: VLF_Receiver.sch	
Sheet: /	
Title: E-Field VLF Receiver	
Size: A4	Date: 15 Jan 2014
KiCad E.D.A.	Rev: 7
	Id: 1/1