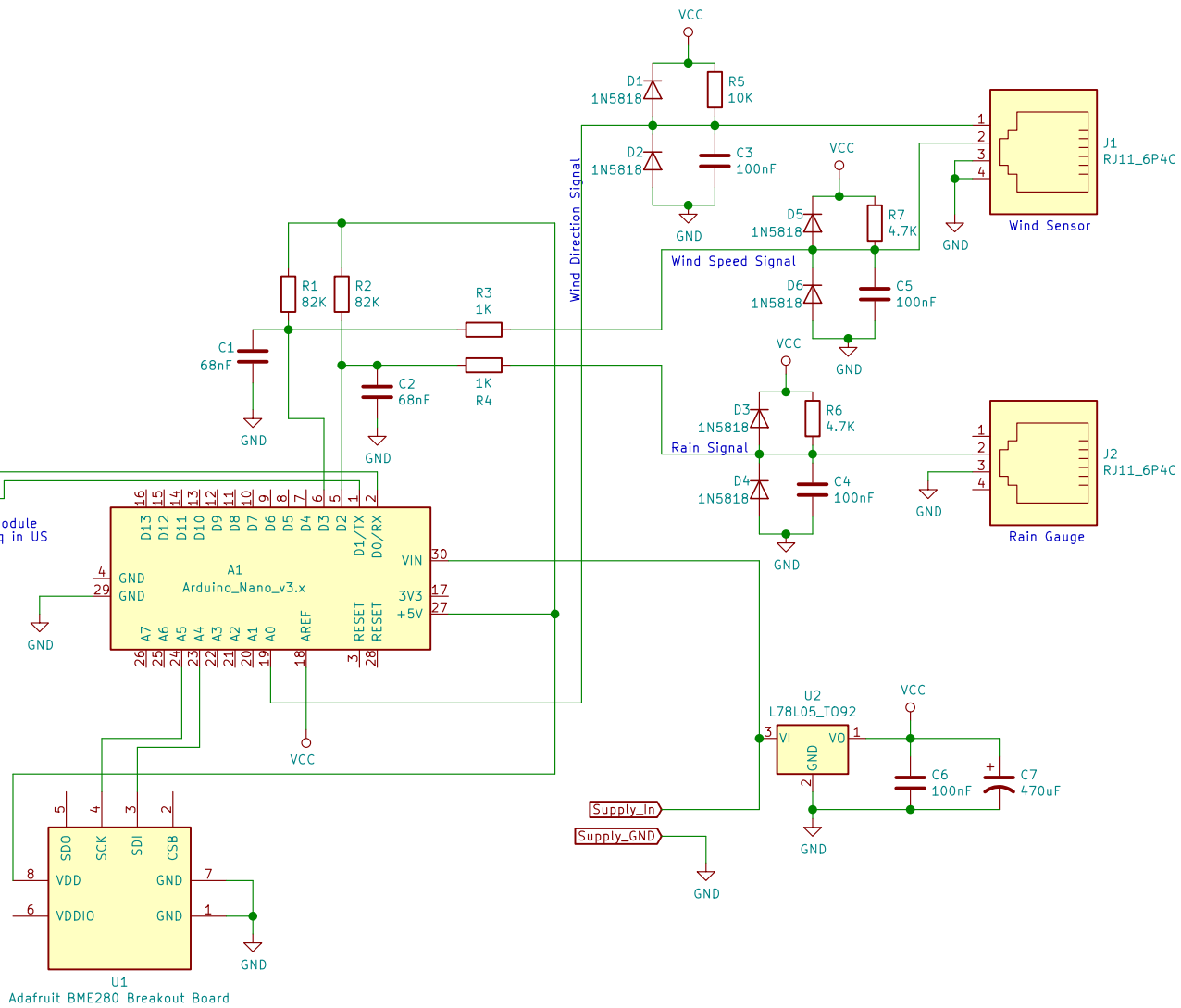


I use a 433MHz RF Module here, set to Ham Freq in US



Sheet: /  
File: nanowx-kicad.sch

**Title: NANO-WX Schematic**

Size: A Date: 2018-10-22  
KiCad E.D.A. kicad 5.0.1-33cea8e68ubuntu16.04.1

Rev: 1  
Id: 1/1